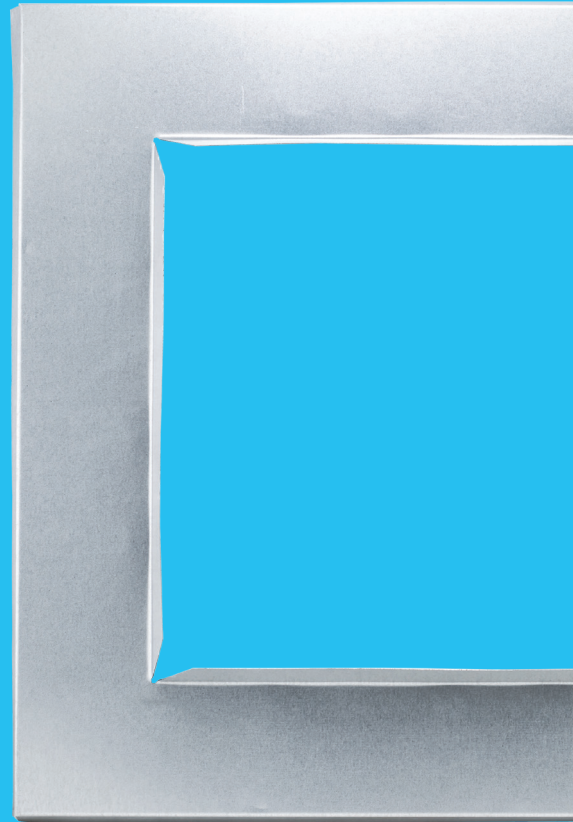


idealair
group

VENTI

square
neck
adaptor



NADSQ
NADSQ181866
NADSQ181899
NADSQ18181010
NADSQ18181212
NADSQ18181515
NADSQ18181616

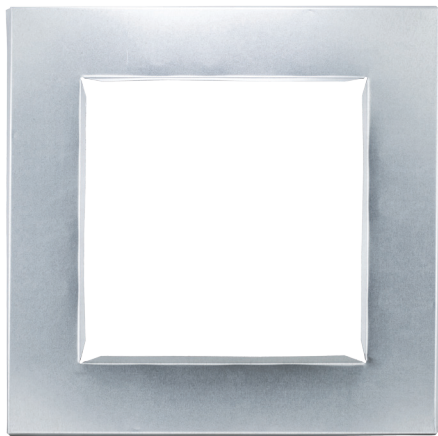
idealairgroup.com.au



SQUARE NECK ADAPTOR

Overview

Square to square neck adaptor for diffusers. Manufactured from galvanised sheet metal. Internal surfaces painted black.



Front view



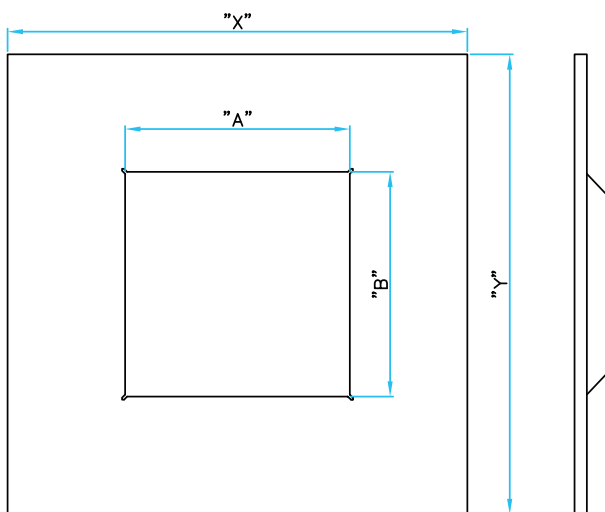
Rear view



Side view



Side perspective



Product Code	Description	Dim. "X" - "Y"	Dim. "A" - "B"
NADSQ181866	Square Neck Adaptor to Suit Diffuser	450 x 450	145 x 145
NADSQ181899	Square Neck Adaptor to Suit Diffuser	450 x 450	220 x 220
NADSQ18181010	Square Neck Adaptor to Suit Diffuser	450 x 450	245 x 245
NADSQ18181212	Square Neck Adaptor to Suit Diffuser	450 x 450	295 x 295
NADSQ18181515	Square Neck Adaptor to Suit Diffuser	450 x 450	370 x 370
NADSQ18181616	Square Neck Adaptor to Suit Diffuser	450 x 450	395 x 395

Dimensions in millimetres