

idealair
group

CAMPAX
round
ceiling
diffuser



RDA
RDA6
RDA6
RDA10
RDA12

idealairgroup.com.au



ROUND CEILING DIFFUSER

Overview

The RDA series of round ceiling diffusers are specifically designed for ceiling applications. Manufactured using spun aluminium gives the diffuser an aesthetically pleasing appearance. Adjusting the air pattern of the diffuser is by screwing the centre dome in or out. Flexible duct can be connected directly to the neck of the diffuser. Removing the centre allows access for connecting the diffuser to the ceiling by clips. Standard finish is powder coated RAL9016. Other colours are available upon request.



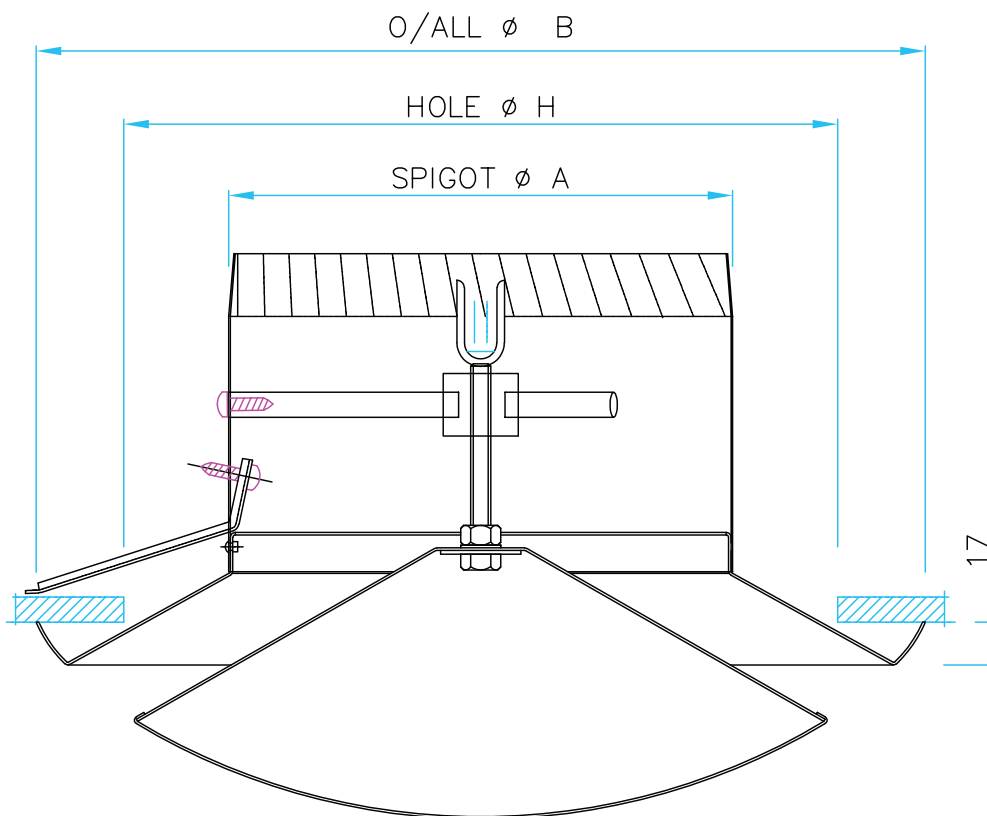
Front view



Side view



Side perspective



RDA - ALUMINIUM CIRCULAR DIFFUSER

Product Codes

Product Code	A Ø	B Ø	H Ø
RDA6	150	310	220
RDA6	200	360	270
RDA10	250	410	320
RDA12	300	460	370

Dimensions in millimetres

Technical Data

Product Code	Neck Ø	Pressure (Pa)	5	10	20	30	40	50	60
RDA6	150	Flow (l/sec)	20	28	40	52	60	72	82
		Throw (m)	0.3	0.7	1.2	1.5	1.8	2.0	2.3
		Noise NR	<20	<20	<20	21	22	24	29
RDA8	200	Flow (l/sec)	38	52	72	95	115	135	157
		Throw (m)	0.7	1.2	1.5	1.9	2.1	2.3	2.7
		Noise NR	<20	<20	<20	20	22	25	29
RDA10	250	Flow (l/sec)	52	72	105	132	157	182	210
		Throw (m)	1.0	1.3	1.7	2.2	2.4	2.7	2.9
		Noise NR	<20	<20	<20	<20	23	25	28
RDA12	300	Flow (l/sec)	72	97	135	168	205	242	275
		Throw (m)	1.1	1.4	1.7	2.3	2.5	2.9	3.1
		Noise NR	<20	<20	<20	<20	22	24	27

This data to be used for quick selection only, not to be used for commissioning.