

idealair
group

NUMERI

jet
nozzle
diffuser



JND6
JND8
JND10
JND315
JND16
JND20
JND630
JNSW10
JNSW315
JNSW16
JNSW20

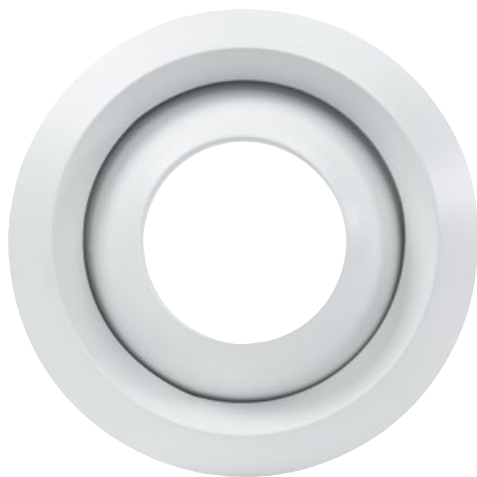
idealairgroup.com.au



JET NOZZLE DIFFUSER

Overview

The JND range of jet diffusers are designed for wall applications to project large volumes of air over long throw distances. It is constructed of aluminium and has an adjustable jet diffuser allowing for accurate air distribution. The JND is available in a variety of sizes. The standard colour is RAL9016. Other colours are available upon request, contact your local dealer.



Front view



Rear view



Side view



Side perspective



Front perspective



JET SWIRL DIFFUSER

Overview

The JNDSW range of jet diffusers are designed for wall applications to project large volumes of air where a reduced throw length is required. The body of the JNDSW is identical to that of the JND but with a black painted steel swirl insert fixed into the neck of the diffuser.



Front view



Rear view



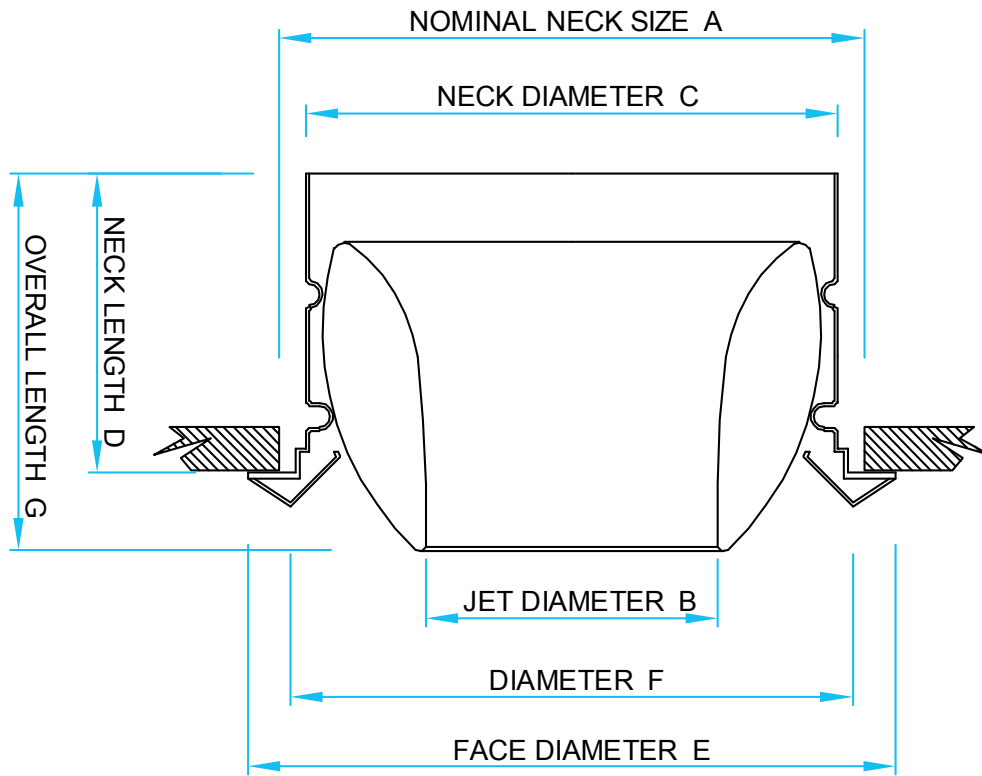
Side view



Side perspective



Front perspective



JND - JET NOZZLE DIFFUSER

Product Code	Nominal Size	A	B	C	D	E	F	G
JND6	160	160	75	158	85	200	155	110
JND8	200	210	105	198	110	265	210	140
JND10	250	260	130	248	140	315	250	175
JND315	315	330	165	313	175	385	320	230
JND16	400	415	220	398	205	470	405	270
JND20	500	515	258	495	250	620	518	350
JND630	630	645	323	625	335	780	645	440

Dimensions in millimetres

Model JND - Jet Nozzle Diffuser

Product Code	Size	Flow Rate (l/s)	30	40	60	80	100	125	150	200	250	300	400	500	600	700	800	900		
JND6	160 Dia.	Pressure Loss (Pa)	19	32	73	125														
		Sound Level (dBa)	<20	20	29	42														
		Throw (m)	6	7.5	11.5	15														
JND8	200 Dia.	Pressure Loss (Pa)		11	27	47	66													
		Sound Level (dBa)		<20	<20	26	32													
		Throw (m)		6.5	10.5	15	19													
JND10	250 Dia.	Pressure Loss (Pa)			10	18	28	46	65											
		Sound Level (dBa)			<20	<20	20	26	32											
		Throw (m)			7.5	11	14.5	19	23											
JND315	315 Dia.	Pressure Loss (Pa)					11	17	25	46										
		Sound Level (dBa)					<20	<20	22	29										
		Throw (m)					9.5	13	16	23										
JND16	400 Dia.	Pressure Loss (Pa)								13	20	30	52	80						
		Sound Level (dBa)									<20	23	27	36	44					
		Throw (m)									15	21	26	36	47					
JND20	500 Dia.	Pressure Loss (Pa)									10	15	27	41	61					
		Sound Level (dBa)									<20	<20	27	34	39					
		Throw (m)									16	19.5	28	37	46					
JND630	630 Dia.	Pressure Loss (Pa)											12	19	27	36	47	60		
		Sound Level (dBa)												<20	22	27	32	36	39	
		Throw (m)												21	27	34	41	47	54	

Model JNSW - Jet Swirl Diffuser

Product Code	Size	Flow Rate (l/s)	30	40	60	80	100	125	150	200	250	300	400	500	600	700	800	900		
JNSW10	250 Dia.	Pressure Loss (Pa)		10	16	27	40	65												
		Sound Level (dBa)		<20	27	32	42	48												
		Throw (m)		3.50	5	7.0	8.5	11.0												
JNSW315	315 Dia.	Pressure Loss (Pa)				15	19	27	37	70										
		Sound Level (dBa)				25	31	37	43	52										
		Throw (m)				5.0	7.0	8.0	10.0	13.0										
JNSW16	400 Dia.	Pressure Loss (Pa)							15	22	36	47	82							
		Sound Level (dBa)								29	38	44	49	57						
		Throw (m)								7.5	10.0	12.0	15.0	20.0						
JNSW20	500 Dia.	Pressure Loss (Pa)								10	16	23	35	53	80					
		Sound Level (dBa)								30	34	39	47	55	62					
		Throw (m)								8.0	11.0	13.0	17.0	20.0	24.0					

Dimensions in millimetres.
 This data to be used for quick selection only, not to be used for commissioning.