

idealair
group

REGELO

jet
diffuser
flanged



JDF



JET DIFFUSER FLANGED

Overview

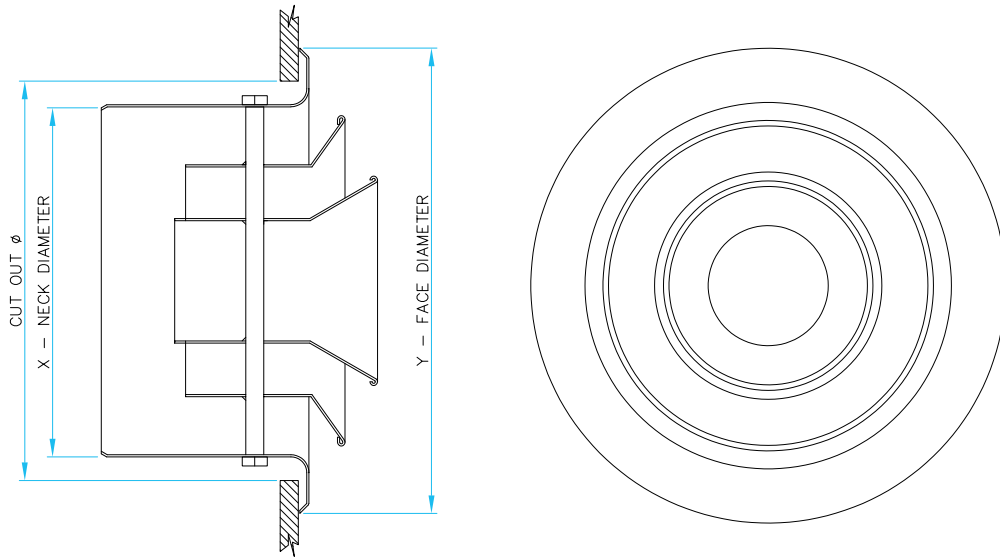
The JDF range of jet diffusers are designed for wall or ceiling applications to project large volumes of air over long throw distances. The jet diffuser core can be rotated 180° to discharge air in either diffuse or jet pattern. The throws of the jet setting are typically double that of the diffuse setting. It is constructed of aluminium and the standard finish is RAL9016. Other colours available upon request, contact your local dealer.



Front view



Top view



JDF - JET DIFFUSER

Product Code	X Diameter	Y Diameter	Cut out Ø
JDF8	195	258	215
JDF10	245	308	265
JDF12	295	358	315
JDF14	345	408	365
JDF16	395	458	415

Dimensions in millimetres

Technical Data

Size (Diameter)	Pressure Drop (Pa)	5	10	20	40	60	80	100
200 Diameter	Flow Rate (l/s)	50	75	117	165	200	230	260
	Throw - Jet (m)	2.2	3.3	5.1	7.3	8.8	10.1	11.4
	Throw - Diffuse (m)	1.2	1.6	2.6	3.7	4.5	5.2	5.8
	Noise NR	<20	<20	25	36	43	48	51
250 Diameter	Flow Rate (l/s)	110	170	235	325	400	467	527
	Throw - Jet (m)	3.5	5.4	7.5	10.3	12.7	14.9	16.8
	Throw - Diffuse (m)	1.8	2.7	3.7	5.2	6.4	7.4	8.4
	Noise NR	<20	<20	24	32	46	48	52
300 Diameter	Flow Rate (l/s)	180	250	355	500	605	700	785
	Throw - Jet (m)	4	6.2	9	13.3	16.2	19.2	22.2
	Throw - Diffuse (m)	2.2	3.2	4.6	6.7	8.1	9.6	11
	Noise NR	22	27	32	39	45	48	51
350 Diameter	Flow Rate (l/s)	310	400	550	760	950	1110	1250
	Throw - Jet (m)	7.7	10	13	18	22.5	27	31.7
	Throw - Diffuse (m)	3.9	4.9	6.4	8.7	10.7	12.9	15.1
	Noise NR	<20	23	30	40	43	47	50
400 Diameter	Flow Rate (l/s)	410	520	725	1050	1200	1400	1600
	Throw - Jet (m)	9.5	11.5	15	20	25	30	37
	Throw - Diffuse (m)	4.7	5.5	7.2	9.5	12	14.5	17
	Noise NR	22	24	30	40	44	48	51

Dimensions in millimetres.

Terminal velocities of 0.25m/sec & 0.6 or 0.75m/sec.

This data to be used for quick selection only, not to be used for commissioning.