

idealair
group

AERIUS

double
deflection
grille



DD
DDRC
DDCF
SD

idealairgroup.com.au



DOUBLE DEFLECTION GRILLE

Overview

The Double Deflection Grille series is designed for supply air in wall applications. The grilles are constructed in aluminium and feature an adjustable horizontal front and vertical rear blades. This allows for accurate and personalised air distribution. The grilles come in two styles, fixed and removable core. The blades are an aerofoil shape to give efficient airflow with minimal noise and pressure performance. The frame is designed to allow for easy fitment of a rear opposed blade damper. The standard grilles are powder coated RAL9016 and come in a number of stocked sizes. Non standard sizes and colour are available on request, please contact your local representative.

DD
Double deflection
- fixed core

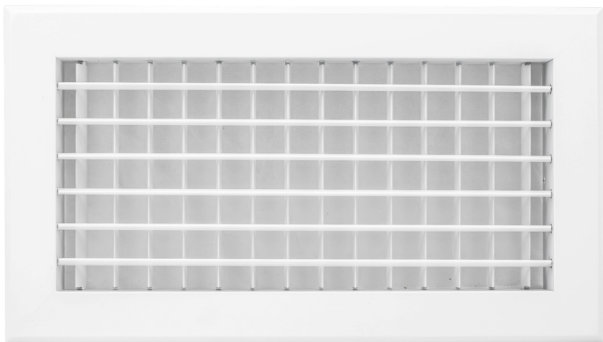
DDRC
Double deflection
- removable core

DDCF
Double deflection
- curved face

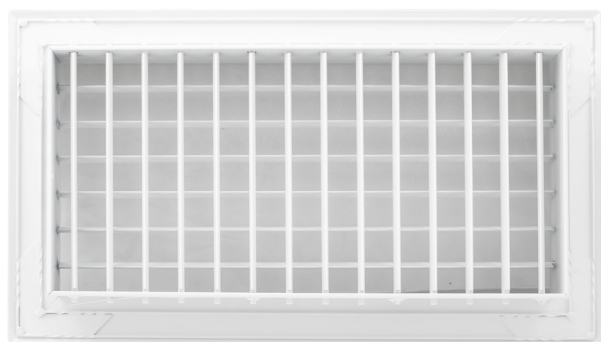
SD
Single deflection



Side perspective



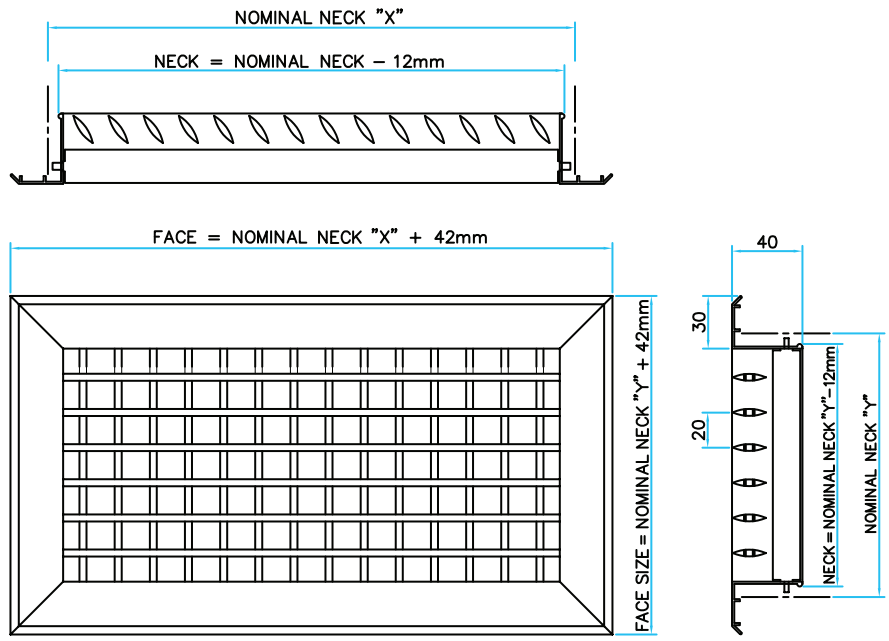
Front view



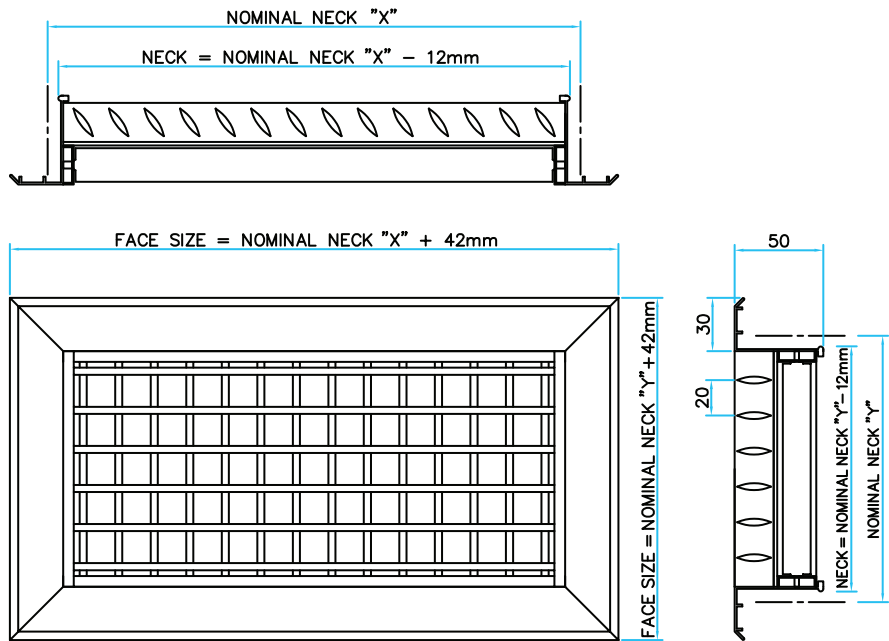
Rear view



End view



**DD - FIXED CORE
DOUBLE DEFLECTION GRILLE**

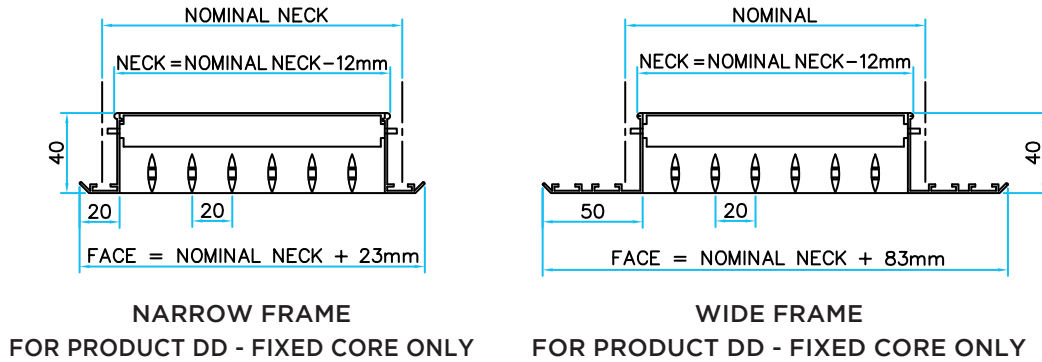


**DDRC - REMOVABLE CORE
DOUBLE DEFLECTION GRILLE**

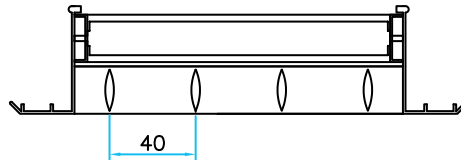
Options

Double Deflection Grilles are available (upon request) with:

1. A wider and narrower outer frame flange for Fixed Core only

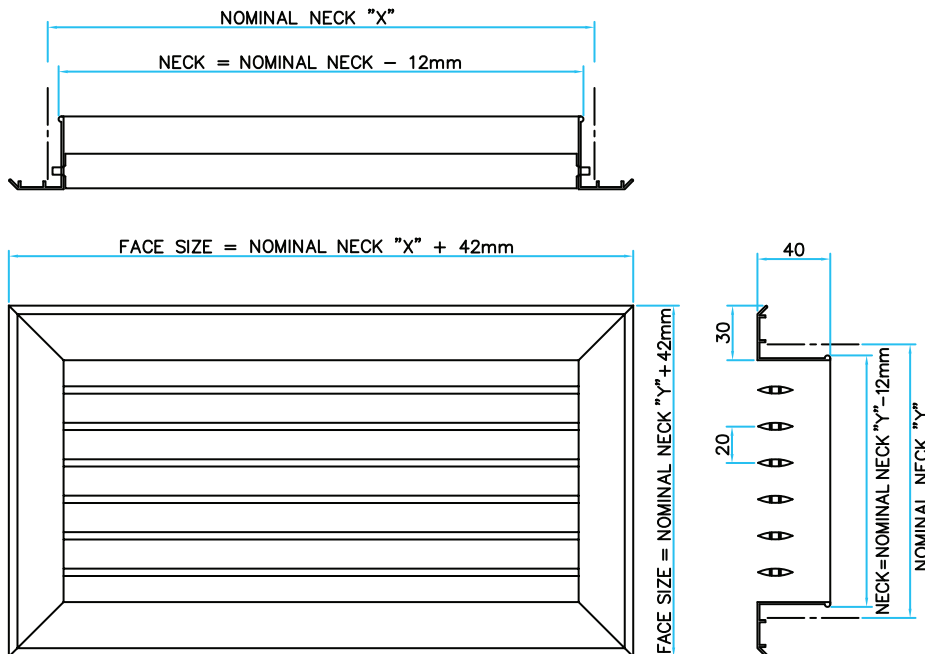


2. Double spaced blades for all DD products



OPTION - DOUBLE SPACED BLADE
AVAILABLE FOR ALL DD PRODUCTS

3. Single Deflection



Size (mm)	Nom. Area (m ²)	Pressure (Pa)	3	5	10	20	30	40	50
300 x 150	0.045 (0.03 f/a)	Flow Rate (l/s)	95	125	175	255	310	360	400
		Throw 0° (m)	4.5 to 9.0	6.0 to 12.0	8.0 to 16.0	11.0 to 22.0	14.0 to 28.0	17.0 to 34.0	18.0 to 36.0
		Noise NR	<20	<20	<20	34	40	43	47
400 x 150 300 x 200 250 x 250	0.060 (0.04 f/a)	Flow Rate (l/s)	135	170	245	350	435	490	550
		Throw 0° (m)	6.0 to 12.0	7.0 to 14.0	10.0 to 20.0	13.5 to 27.0	17.0 to 34.0	19.0 to 38.0	22.0 to 44.0
		Noise NR	<20	<20	23	33	39	43	47
500 x 150 300 x 250 400 x 200	0.075 (0.05 f/a)	Flow Rate (l/s)	165	215	305	430	520	600	650
		Throw 0° (m)	6.0 to 12.0	7.0 to 14.0	11.0 to 22.0	15.0 to 30.0	18.0 to 36.0	22.0 to 44.0	24.0 to 48.0
		Noise NR	<20	<20	23	33	38	44	47
600 x 150 300 x 300	0.090 (0.06 f/a)	Flow Rate (l/s)	210	275	390	540	650	760	850
		Throw 0° (m)	7.0 to 14.0	9.0 to 18.0	12.0 to 24.0	18.0 to 36.0	22.0 to 44.0	24.0 to 48.0	27.0 to 54.0
		Noise NR	<20	<20	23	34	39	44	47
400 x 300 600 x 200 500 x 250	0.112 (0.08 f/a)	Flow Rate (l/s)	255	330	465	660	800	920	1020
		Throw 0° (m)	7.0 to 14.0	9.0 to 19.0	13.0 to 26.0	19.0 to 38.0	23.0 to 46.0	25.0 to 50.0	27.0 to 54.0
		Noise NR	<20	<20	24	34	40	44	47
1000 x 150 750 x 200 600 x 250 500 x 300 400 x 400	0.150 (0.10 f/a)	Flow Rate (l/s)	315	405	575	840	1050	1210	1375
		Throw 0° (m)	8.0 to 16.0	10.5 to 21.0	15.0 to 30.0	21.0 to 42.0	24.0 to 48.0	27.0 to 54.0	30.0 to 60.0
		Noise NR	<20	<20	25	36	42	46	50
1200 x 150 900 x 200 750 x 250 600 x 300 450 x 400	0.180 (0.12 f/a)	Flow Rate (l/s)	365	470	700	875	1150	1360	1500
		Throw 0° (m)	9.0 to 18.0	11.0 to 22.0	16.0 to 32.0	22.0 to 44.0	26.0 to 52.0	28.0 to 56.0	33.0 to 66.0
		Noise NR	<20	<20	26	37	43	48	51
600 x 400 1200 x 200	0.240 (0.15 f/a)	Flow Rate (l/s)	460	600	800	1180	1500	1640	1900
		Throw 0° (m)	10.0 to 20.0	13.0 to 26.0	18.0 to 36.0	24.0 to 48.0	28.0 to 56.0	32.0 to 64.0	36.0 to 66.0
		Noise NR	<20	<20	27	37	43	47	50
900 x 300	0.270 (0.18 f/a)	Flow Rate (l/s)	550	700	1030	1450	1750	2100	2350
		Throw 0° (m)	11.0 to 22.0	14.0 to 28.0	20.0 to 40.0	27.0 to 54.0	30.0 to 60.0	36.0 to 72.0	40.0 to 80.0
		Noise NR	<20	<20	27	38	43	48	51
900 x 400 1200 x 300	0.360 (0.24 f/a)	Flow Rate (l/s)	657	900	1200	1820	2200	2500	2700
		Throw 0° (m)	12.0 to 24.0	16.0 to 32.0	22.0 to 44.0	28.0 to 56.0	35.0 to 70.0	40.0 to 80.0	43.0 to 86.0
		Noise NR	<20	<20	28	39	46	50	54

This data to be used for quick selection only, not to be used for commissioning.

Size (mm)	Nom. Area (m ²)	Pressure (Pa)	3	5	10	20	30	40	50
200 x 200	0.040 (0.026 f/a)	Flow Rate (l/s)	62	84	118	171	212	245	
		Throw 0° (m)	2.0 to 4.0	2.8 to 5.6	4.5 to 9.0	5.7 to 11.4	7.2 to 14.4	8.2 to 16.4	
		Noise NR	<20	<20	<20	30	36	41	
300 x 150 450 x 100	0.045 (0.03 f/a)	Flow Rate (l/s)	69	91	140	180	226	262	292
		Throw 22° (m)	4.0 to 8.0	5.0 to 10.0	6.0 to 12.0	10.0 to 20.0	11.0 to 22.0	13.0 to 26.0	14.0 to 28.0
		Noise NR	<20	<20	<20	30	36	41	43
400 x 150 300 x 200 250 x 250	0.060 (0.04 f/a)	Flow Rate (l/s)	98	124	178	255	317	357	401
		Throw 22° (m)	4.5 to 9.0	5.5 to 11.0	8.0 to 16.0	11.0 to 22.0	13.0 to 26.0	14.0 to 28.0	16.0 to 32.0
		Noise NR	<20	<20	<20	29	35	40	43
500 x 150 300 x 250 400 x 200	0.075 (0.05 f/a)	Flow Rate (l/s)	120	156	222	313	380	425	474
		Throw 22° (m)	5.0 to 10.0	6.0 to 12.0	9.0 to 18.0	12.0 to 24.0	14.0 to 28.0	16.0 to 32.0	18.0 to 36.0
		Noise NR	<20	<20	<20	29	35	39	42
600 x 150 300 x 300	0.090 (0.06 f/a)	Flow Rate (l/s)	153	200	284	400	474	554	620
		Throw 22° (m)	5.5 to 11.0	7.0 to 14.0	10.0 to 20.0	13.0 to 26.0	15.0 to 30.0	19.0 to 38.0	22.0 to 44.0
		Noise NR	<20	<20	<20	28	34	38	42
400 x 300 600 x 200 500 x 250	0.075 (0.05 f/a)	Flow Rate (l/s)	120	156	222	313	380	425	474
		Throw 22° (m)	5.0 to 10.0	6.0 to 12.0	9.0 to 18.0	12.0 to 24.0	14.0 to 28.0	16.0 to 32.0	18.0 to 36.0
		Noise NR	<20	<20	<20	29	35	39	42
1000 x 150 750 x 200 600 x 250 500 x 300 400 x 400	0.012 (0.08 f/a)	Flow Rate (l/s)	186	240	339	481	584	671	744
		Throw 22° (m)	5.5 to 11.0	9.0 to 18.0	11.0 to 22.0	14.0 to 28.0	18.0 to 36.0	21.0 to 42.0	23.0 to 46.0
		Noise NR	<20	<20	<20	27	34	38	41
1200 x 150 900 x 200 750 x 250 600 x 300 450 x 400	0.180 (0.12 f/a)	Flow Rate (l/s)	229	295	419	613	766	850	1003
		Throw 22° (m)	7.0 to 14.0	9.0 to 18.0	12.0 to 24.0	17.0 to 34.0	21.0 to 42.0	23.0 to 46.0	25.0 to 50.0
		Noise NR	<20	<20	<20	29	34	39	42
600 x 400 1200 x 200	0.240 (0.15 f/a)	Flow Rate (l/s)	266	343	511	638	839	960	1095
		Throw 22° (m)	7.0 to 14.0	10.0 to 20.0	13.0 to 26.0	19.0 to 38.0	22.0 to 44.0	24.0 to 48.0	27.0 to 54.0
		Noise NR	<20	<20	<20	29	35	40	43
900 x 300	0.270 (0.18 f/a)	Flow Rate (l/s)	401	511	751	1140	1277	1533	1715
		Throw 22° (m)	10.0 to 20.0	12.0 to 24.0	16.0 to 32.0	23.0 to 46.0	26.0 to 52.0	28.0 to 56.0	29.0 to 58.0
		Noise NR	<20	<20	<20	28	34	38	42
900 x 400 1200 x 300	0.360 (0.24 f/a)	Flow Rate (l/s)	550	657	1000	1320	1650	1950	2150
		Throw 22° (m)	11.0 to 22.0	13.0 to 26.0	20.0 to 40.0	25.0 to 50.0	29.0 to 58.0	34.0 to 68.0	37.0 to 74.0
		Noise NR	<20	<20	<20	31	36	41	44

This data to be used for quick selection only, not to be used for commissioning.

Size (mm)	Nom. Area (m ²)	Pressure (Pa)	3	5	10	20	30	40	50
200 x 200	0.040 (0.026 f/a)	Flow Rate (l/s)	55	72	101	147	179	208	232
		Throw 0° (m)	1.0 to 2.0	1.5 to 3.0	2.5 to 5.0	4.0 to 8.0	5.0 to 10.0	5.5 to 11.0	6.0 to 12.0
		Noise NR	<20	<20	<20	28	33	37	40
300 x 150 450 x 100	0.045 (0.03 f/a)	Flow Rate (l/s)	78	98	142	203	252	284	319
		Throw 45° (m)	1.5 to 3.0	2.0 to 4.0	3.0 to 6.0	4.5 to 9.0	5.5 to 11.0	6.5 to 13.0	7.5 to 15.0
		Noise NR	<20	<20	<20	27	32	36	38
400 x 150 300 x 200 250 x 250	0.060 (0.04 f/a)	Flow Rate (l/s)	95	124	176	249	301	348	377
		Throw 45° (m)	1.5 to 3.0	2.5 to 5.0	3.5 to 7.0	5.5 to 11.0	6.0 to 12.0	7.5 to 15.0	8.5 to 17.0
		Noise NR	<20	<20	<20	27	32	36	38
500 x 150 300 x 250 400 x 200	0.075 (0.05 f/a)	Flow Rate (l/s)	121	159	226	313	377	440	493
		Throw 45° (m)	2.0 to 4.0	2.5 to 5.0	4.0 to 8.0	5.5 to 11.0	7.0 to 14.0	8.5 to 17.0	9.0 to 18.0
		Noise NR	<20	<20	<20	27	32	36	39
600 x 150 300 x 300	0.090 (0.06 f/a)	Flow Rate (l/s)	147	191	269	382	464	533	591
		Throw 45° (m)	2.0 to 4.0	3.0 to 6.0	4.5 to 9.0	6.0 to 12.0	7.5 to 15.0	9.0 to 19.0	10.0 to 20.0
		Noise NR	<20	<20	<20	27	32	36	38
400 x 300 600 x 200 500 x 250	0.112 (0.08 f/a)	Flow Rate (l/s)	182	234	333	487	609	701	797
		Throw 45° (m)	2.5 to 5.0	3.5 to 7.0	5.0 to 10.0	7.0 to 14.0	9.0 to 18.0	10.0 to 20.0	11.0 to 22.0
		Noise NR	<20	<20	<20	27	32	36	39
1000 x 150 750 x 200 600 x 250 500 x 300 400 x 400	0.150 (0.10 f/a)	Flow Rate (l/s)	211	272	406	550	667	788	870
		Throw 45° (m)	3.0 to 6.0	4.0 to 8.0	5.5 to 11.0	8.0 to 16.0	9.5 to 19.0	11.0 to 22.0	12.0 to 24.0
		Noise NR	<20	<20	<20	26	32	35	38
1200 x 150 900 x 200 750 x 250 600 x 300 450 x 400	0.180 (0.12 f/a)	Flow Rate (l/s)	211	272	406	550	667	788	870
		Throw 45° (m)	3.0 to 6.0	4.0 to 8.0	5.5 to 11.0	8.0 to 16.0	9.5 to 19.0	11.0 to 22.0	12.0 to 24.0
		Noise NR	<20	<20	<20	26	32	35	38
600 x 400 1200 x 200	0.240 (0.15 f/a)	Flow Rate (l/s)	345	445	600	850	1075	1250	1363
		Throw 45° (m)	3.5 to 7.0	4.5 to 9.0	6.5 to 13.0	9.0 to 18.0	11.0 to 22.0	13.0 to 26.0	14.0 to 28.0
		Noise NR	<20	<20	<20	25	30	35	38
900 x 300	0.270 (0.18 f/a)	Flow Rate (l/s)	455	675	850	1175	1450	1650	1875
		Throw 45° (m)	4.0 to 8.0	6.0 to 12.0	7.5 to 15.0	10.0 to 20.0	12.0 to 24.0	14.0 to 28.0	16.0 to 32.0
		Noise NR	<20	<20	<20	26	31	35	38
900 x 400 1200 x 300	0.360 (0.24 f/a)	Flow Rate (l/s)	455	675	850	1175	1450	1650	1875
		Throw 45° (m)	4.0 to 8.0	6.0 to 12.0	7.5 to 15.0	10.0 to 20.0	12.0 to 24.0	14.0 to 28.0	16.0 to 32.0
		Noise NR	<20	<20	<20	26	31	35	38

This data to be used for quick selection only, not to be used for commissioning.

DOUBLE DEFLECTION GRILLE

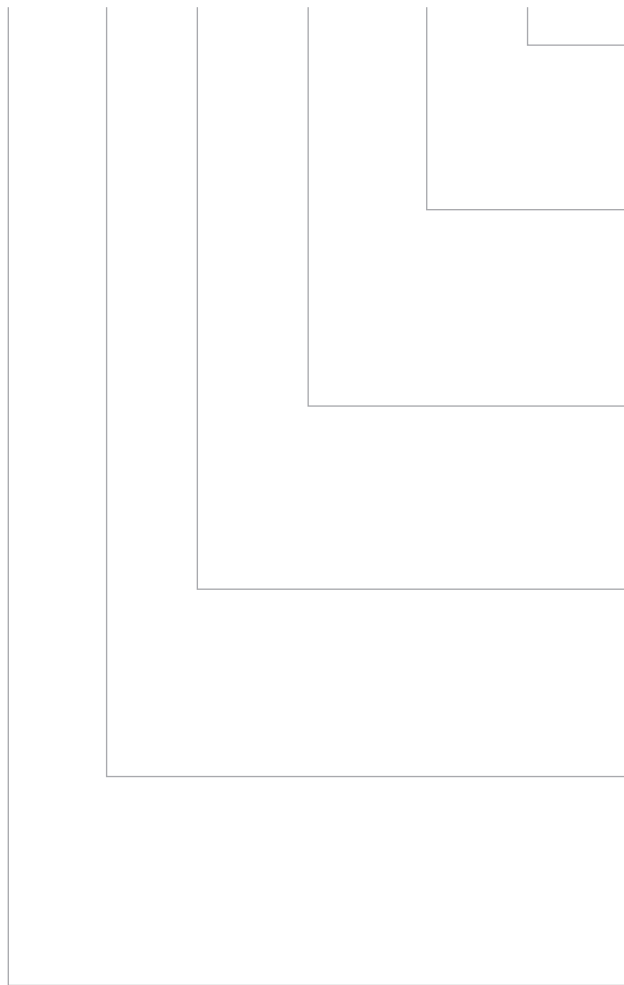
Order Details

Example - To order a Double Deflection grille with a standard flange, 600mm long (X nominal) by 200mm wide (Y nominal) in a standard RAL9016 finish.

CODE = DD-600-200

Note: Contact your sales branch or sales representative if your desired product cannot be ordered by using the above ordering criteria.

DD - - - - -



FINISH

NIL= Standard white RAL9016

DD WIDTH - NOMINAL

Y = NOMINAL DIMENSION
Stated in millimetres
(Rear vertical blades)

DD LENGTH - NOMINAL

X = NOMINAL DIMENSION
Stated in millimetres
(Front horizontal blades)

BLADE SPACING OPTIONS

NIL= Standard 20mm Blade Spacing
X = Double Spaced

FRAME OPTIONS

NIL= Standard frame
S = Small / Narrow Frame
L = Large / Wide Frame

MODEL

DD = Double Deflection Grille
DDRC = D/Deflection Removable Core
DDCF = D/Deflection Curved Face
SD = Single Deflection